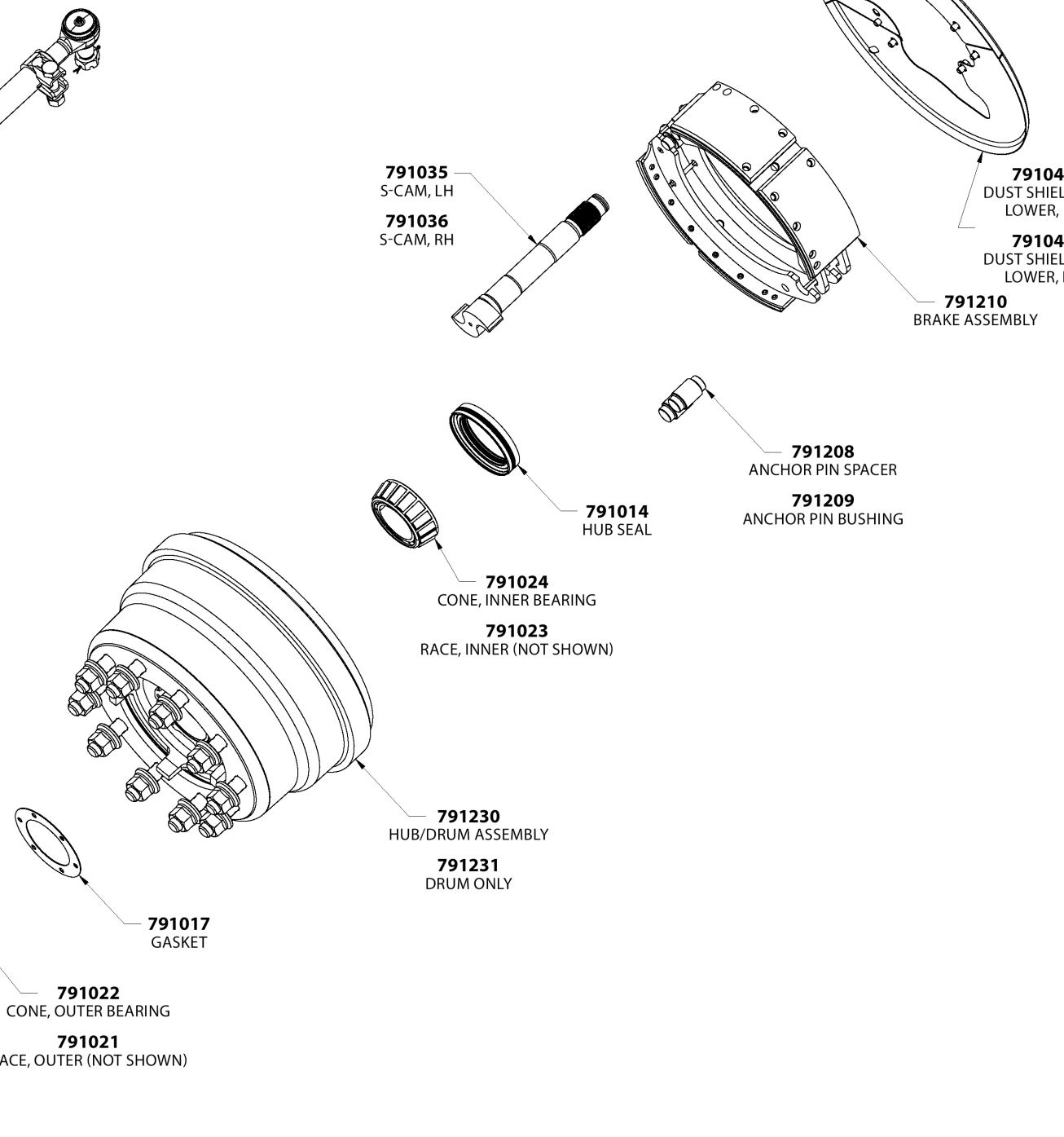
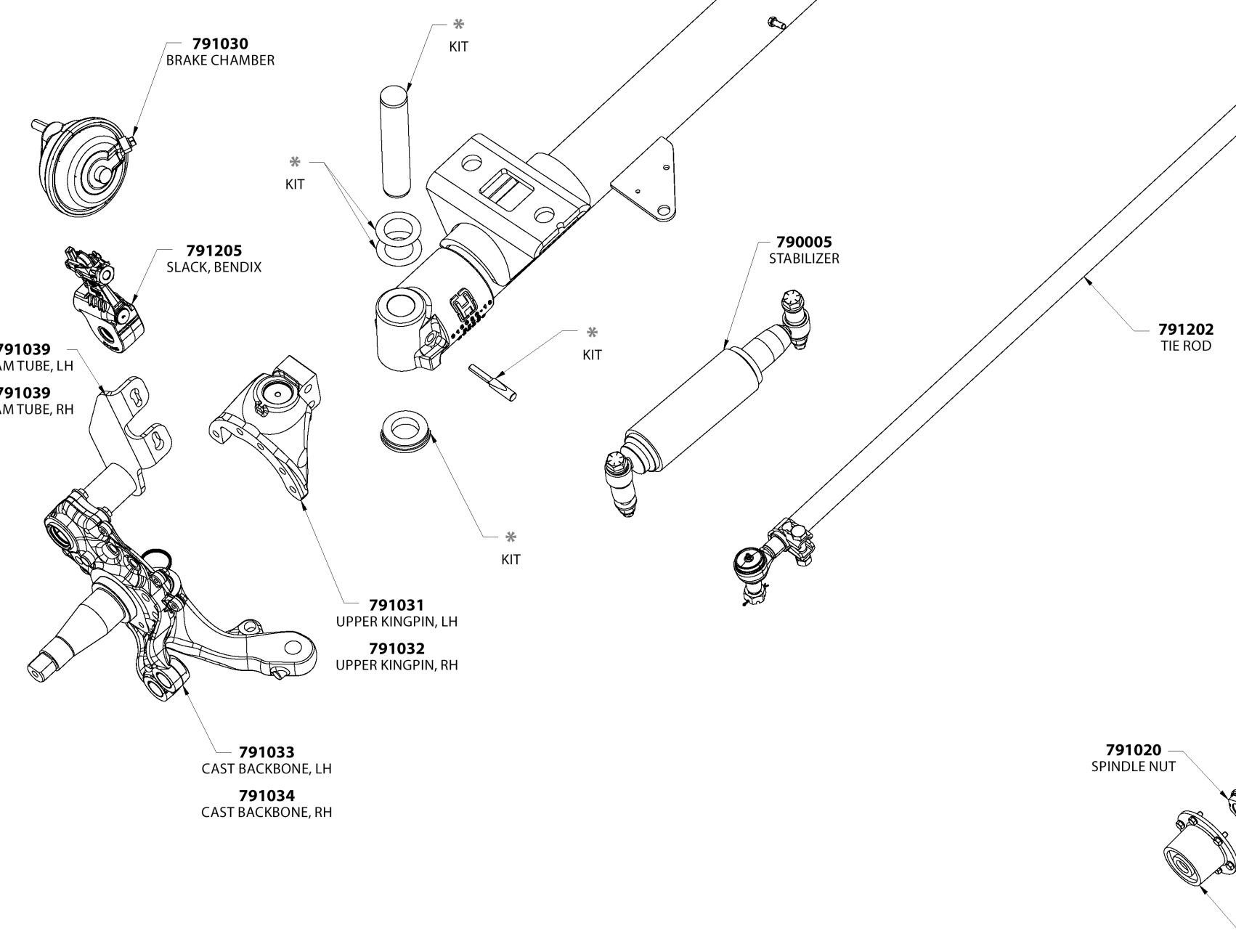
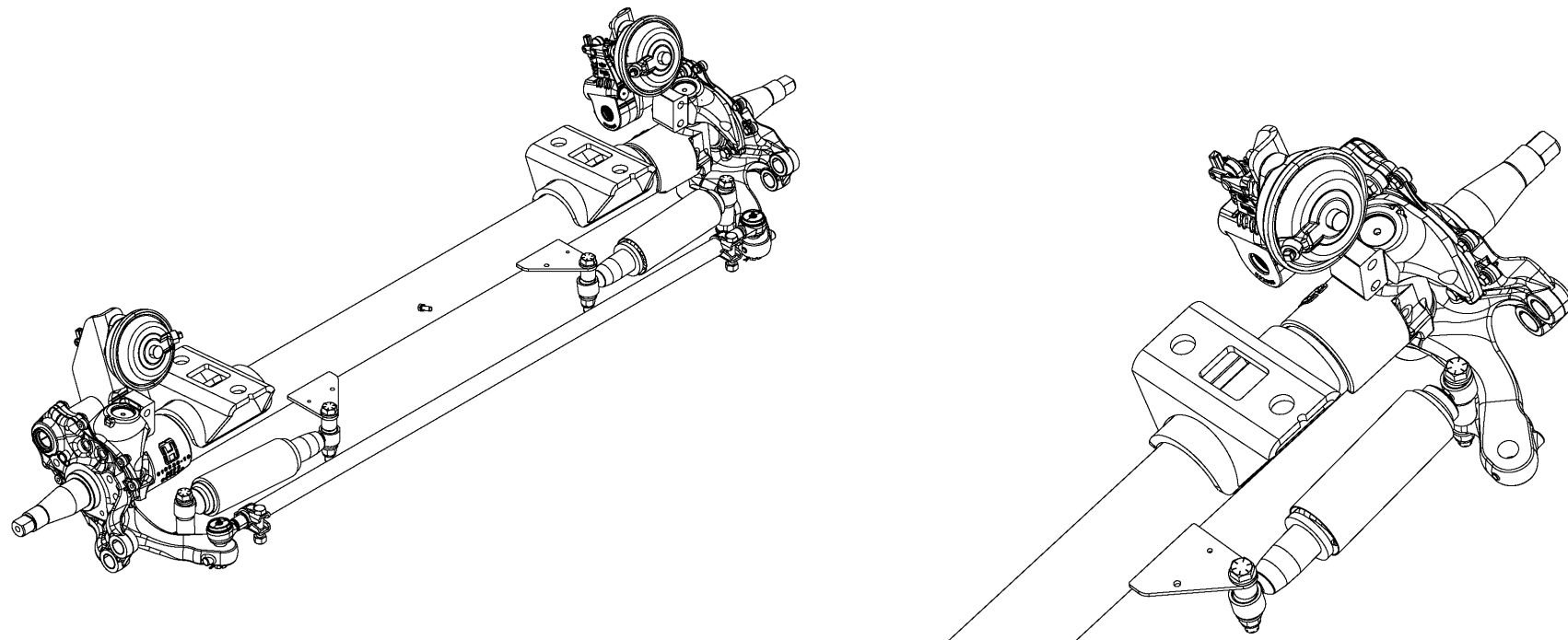


CURRENT STYLE HENDRICKSON AXLE ASSEMBLY (POST 08/2020) - CON-TECH MANUFACTURING, INC.



- 791030**
BRAKE CHAMBER
- 791205**
SLACK, BENDIX
- 791039**
S-CAM TUBE, LH
- 791039**
S-CAM TUBE, RH
- 791033**
CAST BACKBONE, LH
- 791034**
CAST BACKBONE, RH

- * KIT
- * KIT
- * KIT
- * KIT
- 791031**
UPPER KINGPIN, LH
- 791032**
UPPER KINGPIN, RH

- 790005**
STABILIZER
- * KIT

- 791202**
TIE ROD

- 791020**
SPINDLE NUT
- 791202**
HUB CAP

- 791022**
CONE, OUTER BEARING
- 791021**
RACE, OUTER (NOT SHOWN)

- 791017**
GASKET

- *
790051
KINGPIN KIT

- 791035**
S-CAM, LH
- 791036**
S-CAM, RH

- 791024**
CONE, INNER BEARING
- 791023**
RACE, INNER (NOT SHOWN)

- 791230**
HUB/DRUM ASSEMBLY
- 791231**
DRUM ONLY

- 791014**
HUB SEAL
- 791208**
ANCHOR PIN SPACER
- 791209**
ANCHOR PIN BUSHING

- 791037**
DUST SHIELD KIT
UPPER, LH
- 791038**
DUST SHIELD KIT
UPPER, RH
- 791041**
DUST SHIELD KIT
LOWER, LH
- 791042**
DUST SHIELD KIT
LOWER, RH
- 791210**
BRAKE ASSEMBLY