



CON TECH MANUFACTURING INC
67079 170TH AVE
DODGE CENTER, Minnesota 55927
United States of America

Con Tech Manufacturing Inc
Phone: 507-374-2239
Email: sales@cmtmixers.com

Vehicle Summary

	Unit	Chassis	
Model:	T880 Series Conventional	Fr Axle Load (lbs):	20000
Type:	FULL TRUCK	Rr Axle Load (lbs):	46000
Description 1:	Donated BK 1 pusher	G.C.W. (lbs):	77020
Description 2:	Disc brakes alum wheels		
	Application	Road Conditions:	
Intended Serv.:	Concrete ready mix: Vehicles which deli	Class A (Highway)	90
Commodity:	Ready-mix concrete	Class B (Hwy/Mtn)	10
		Class C (Off-Hwy)	0
		Class D (Off-Road)	0
Type:	Body Booster axle mixer w/approved frame reinforcement	Maximum Grade:	6
Length (ft):	20	Wheelbase (in):	248
Height (ft):	13.5	Overhang (in):	110
Max Laden Weight (lbs):	4000	Fr Axle to BOC (in):	86
		Cab to Axle (in):	162
		Cab to EOF (in):	272
No. of Trailer Axles:	0	Overall Comb. Length (in):	386
Type:			
Length (ft):	0	Special Req.	
Height (ft):	0	U.S. Domestic registry, 50-state.	
Kingpin Inset (in):	0		
Corner Radius (in):	0		
	Restrictions		
Length (ft):	120		
Width (in):	102		
Height (ft):	13.5		

Approved by: _____

Date: _____

Note: All sales are F.O.B. designated plant of manufacture.



Sales Code	Std/Opt	Description	Weight
Model			
0000810	S	T880 Series Conventional	15,549
0070060	S	T880	0
0072000	O	Chassis operation will not incl. stationary application. Stationary operation is defined as running the engine under load while stationary at a substantial fraction of engine gross horsepower (60% or greater) for an extended period of time (longer than 5 - 10 minutes).	0
0080066	O	CARB Idle Emissions Reduction - MX	0
0090000	S	Non-Sleeper w/rear axle capacity less than 59K.	0
0098443	O	State of Registry: Texas	0
Engine & Equipment			
0701107	O	MX-11 430 430@1600 1650@900 2021 with Engine Brake N09020 AE001 NO....ENBL MX RETARDER IN NEUTRAL N08200 AE002 650...IDLE TARGET N09100 AA003 64....CC MAX TARGET SPD N09110 AA004 10....CC MIN ENABLE SPD N09120 AA005 OFF...DYNAMIC CC ENABLE N09440 AA061 2000..CAB:MAX ENG SPD-ACCEL CNTRL N09430 AA062 2000..CAB: MAX ENG SPD - SW CNTRL N09420 AA063 6.....CAB: MAX VEH SPD N09510 AA065 800...CAB: DEDICATED PRESET "-" N09520 AA066 900...CAB: DEDICATED PRESET "+" N09780 AA049 CNCL..CAB: CUSTOM PRESET 1 FUNC N09640 AA050 0.....CAB: CUSTOM PRESET 1 N09790 AA051 CNCL..CAB: CUSTOM PRESET 2 FUNC N09650 AA052 0.....CAB: CUSTOM PRESET 2 N09800 AA053 CNCL..CAB: CUSTOM PRESET 3 FUNC N09660 AA054 0.....CAB: CUSTOM PRESET 3 N09500 AA060 OFF...CAB: PRESET +/- SW TYPE N09630 AA067 TRQ...CAB:ACCEL PEDAL TYPE IN PTO N09400 AA068 YES...CAB:ACCEL ACTV IN CAB PTO N09470 AA055 ON....CAB: CLUTCH INTLK N09840 AA056 OFF...CAB: CUSTOMER INTLK N09480 AA057 ON....CAB: NEUTRAL INTLK N09460 AA058 ON....CAB: PARK BRK INTLK N09490 AA059 ON....CAB:SER BRK INTLK:NO PTO N09540 AA074 2000..REM:MAX ENG SPD-ACCEL CNTRL N09530 AA075 2000..REM:MAX ENGSPD-SW/TSC1 CTRL N09610 AA077 800...REM: DEDICATED PRESET "-" N09620 AA078 900...REM: DEDICATED PRESET "+" N09810 AA043 CNCL..CAB/REM:CUSTOM PRESET1 FUNC N09670 AA044 750...CAB/REM: CUSTOM PRESET 1 N09820 AA045 CNCL..CAB/REM:CUSTOM PRESET2 FUNC	-288

Sales Code	Std/Opt	Description	Weight
		N09680 AA046 850...CAB/REM:CUSTOM PRESET 2	
		N09830 AA047 CNCL..CAB/REM:CUSTOM PRESET3 FUNC	
		N09690 AA048 950...CAB/REM: CUSTOM PRESET 3	
		N09600 AA079 OFF...REM: PRESET +/- SW TYPE	
		N09410 AA069 YES...PTO REM PEDAL ENABLE	
		N09560 AA070 ON AD.REM: CLUTCH INTLK	
		N09700 AA071 OFF...REM: CUSTOMER INTLK	
		N09570 AA072 ON AD.REM: NEUTRAL INTLK	
		N09580 AA073 ON AD.REM:SER BRK INTLK:NO PTO	
		N09550 AA076 650...REM: MIN ENG SPD	
		N09450 AA064 650...CAB: MIN ENG SPD	
		N09760 AA009 5.....DRIVER REWARD VEH SPD BONUS	
		N09770 AA010 -5.....DRIVER REWARD VEH SPD PNLTY	
		N09750 AA013 NONE..OFFSET MODE	
		N09720 AA015 3.....MIN SPD FOR DR SHIFT AID	
		N09730 AA016 1.....DSA LOWEST ACTV GEAR	
		N09740 AA017 6.....DSA HIGHEST ACTV GEAR	
		N09340 AA019 YES...EIST PARK BRK RESET ENABLE	
		N09300 AA022 30....EIST LO CLNT TEMP OVERRIDE	
		N09290 AA023 80....EIST HI AMBAIR TEMP OVRRDE	
		N09280 AA024 39....EIST LO AMBAIR TEMP OVRRDE	
		N09260 AA025 5.....EIST PTO MAX IDLE TIME	
		N09230 AA026 5.....EIST PARKED MAX IDLE TIME	
		N09220 AA027 5.....EIST STANDSTILL IDLE TIME	
		N09240 AA029 YES...EIST RESET FROM ENG LOAD	
		N09250 AA030 NO....EIST OVERRIDE FROM ENG LOAD	
		N09200 AA031 0.....EIST EXPIRATION DISTANCE	
		N09310 AA032 YES...EIST ACCEL PEDAL RESET	
		N09330 AA033 YES...EIST SERVICE BRK RESET	
		N09320 AA034 YES...EIST CLUTCH PEDAL RESET	
		N09270 AA035 YES...EIST PTO OVERRIDE	
		N08030 AA086 64....MAX ACCEL PEDAL VEH SPD	
		N08000 AA087 0.....VSL EXPIRATION DISTANCE	
		N08020 AA088 64....LRSL SPD LMT	
		N09350 AA042 1900..FAST IDLE CNTRL MAX ENG SPD	
		N09050 AA037 4.....DSL SPD OFFSET	
		N09040 AA038 2.....AUTO RTRDR VEH SPD OFFSET	
		N09030 AA039 0.....TIME DELAY FOR RTRDR ACT	
		N09130 AA006 MT....MULTI TORQUE IN CC	
		N09080 AQ001 4.....PCC Negative Offset	
		N09090 AQ002 4.....PCC Positive Offset	
		N09710 AA089 NO....REMOTE INPUTS IN CAB PTO	
		N08200 AE002 650...IDLE TARGET	
1000046	O	EPA Emissions Warranty Engine	0
1000151	S	PremierSpec	0
1000204	O	Engine monitoring protection -Derate- PACCAR MX engine parameter.	0
1000244	O	Gearing Analysis: Balance power/economy blend results.	0

Sales Code	Std/Opt	Description	Weight
1000248	O	Customer's Typical Operating Spd: 55 MPH.	0
1000282	O	MX Retarder State Cruise Control On Manual Mode Selecting this code will program the engine controller to make manual mode available when cruise control is on, but not set, and the engine brake switch is on. Manual mode means the engine retarder activates whenever the throttle pedal is not depressed. 2013+	0
1000342	O	PTO mode control - remote station.	0
1000684		Effective VSL Setting NA	0
1000858	O	Engine Idle Shutdown Timer Disabled	0
1000891		Eff EIST NA Expiration Miles	0
1006003	S	Air Compressor: WABCO 25.9 CFM PACCAR MX 2017+ 440cc Air Compressor	0
1051200	S	Air Cleaner: composite firewall mounted PACCAR or Cummins engines	0
1099080	O	Pre-cleaner mounted in the hood plenum	0
1105210	S	Fan hub: Horton 2-Speed for PACCAR MX	0
1123555	S	Cooling module: 1330 square inches. Includes aluminum radiator core, aluminum charge air cooler, translucent surge tank and washer bottle, silicone hoses, and extended life coolant.	0
1247234	S	EXH: 2021 RH Under DPF/SCR with RH SOC Vertical tailpipe. Not 2.1m high roof sleepers	0
1290124	O	Tailpipe: 5 in. single 24 in. 45 degree curved.	-3
1321101	S	Fuel Filter: PACCAR Extended Service Interval On-Engine Fuel/Water Separator. 2021 Emissions MX Engines only.	0
1321205	S	Run Aid:Fuel Heat *For Fuel Filter	0
1321305	S	Start Aid:12V Heat *For Fuel Filter	0
1504005	O	Immersion block heater 120V 1500W w/plug under door on C500, T660, T800 & W900.	2
1812163	S	Alternator: PACCAR HDS 160 AMP Brushed	0
1821271	O	Batteries: 2 AGM GP31 threaded post 1850 CCA For 2.1m with In Cab Battery Box (ICBB) only	-50
1836102	S	PACCAR Premium 12V Starter with PACCAR MX Engines PACCAR 12 volt electrical system. With centralized power distribution incorporating plug-in style relays. Circuit protection for serviceability, 12-volt light system w/circuit protection circuits number & color coded.	0
1840065	S	12V low voltage disconnect for starter battery protection.	0

Sales Code	Std/Opt	Description	Weight
1900996	O	Jump start terminals under hood.	12
1901018	O	Remote PTO/Throttle, 12-Pin, 250K, Back of Cab OR Back of Sleeper, J1939, Remote Control Provision	0
Transmission & Clutch			
2016628	O	Transmission: Allison 4500RDS 6-speed, No PTO drive gear. No Retarder. 6th Generation controls. For vocational applications. Includes shift control, transmission oil temperature gauge, oil level sensor & heat exchanger. Transynd transmission fluid is standard on all Allison 1000, 2000, 3000 & 4000 series transmissions.	403
2406453	O	Driveline: 2 Dana SPL250XL 1 centerbearing Low maintenance offering from Spicer. On-highway 350K mi first service interval, 100K mi subsequent service interval on U-joint, splines lubed for life, quick disconnect end caps.	83
2410018	O	Torque converter included w/Allison Transmission.	0
2410151	O	Pushbutton control center console mounted. Class 8 with Allison Transmission.	0
2410204	O	Allison Fuel Sense: Delete	0
2410244	O	J1939 Park Brake Auto Neutral	0
2410404	U	Torque Converter - OAR Overrid <i>Narr Torque Converter - OAR Overrid Cust requires</i>	0
2410428	U	Allison trans pkg 180 <i>Narr Allison trans pkg 180 Cust requires</i>	0
2410541	U	Torque Converter: TC571 F/4000 <i>Narr Torque Converter: TC571 F/4000 Cust requires</i>	0
Front Axle & Equipment			
2517020	O	Meritor MFS20 Front Axle rated 20K 3.5 in. drop, standard track.	-7
2607002	S	Front Brakes: 14,601-22K Bendix air disc brakes.	0
2690025	O	Splined rotor for front air disc brakes for use with iron hubs.	0
2702020	O	Front Hubs Iron hub pilot 20,000 lbs. 10 Bolt 16.5x6in. or 7in. or air disc brakes. 10 Bolt, 11-1/4 in. bolt circle. Consider Wheelguards (5850002) with aluminum wheels.	80
2741970	S	ConMet PreSet Plus Hub package; front axle.	0
2750001	S	Hubcap: front vented.	0
2769000	S	Slack Adjusters included w/ front axle or brake. Also use w/ disc brakes.	0
2866025	O	Front Springs: Taperleaf 20K w/ shock absorbers w/ maintenance-free elastomer spring pin bushings. Standard with rubber pins. T880S set forward axle only.	0

Sales Code	Std/Opt	Description	Weight
2895302	S	Dual power steering gear: 16-22K Sheppard HD94. Heavy duty. Not for use on T3.	0
2899336	S	Power Steering Cooler:Radiator Mounted Air-to-Oil	0
2900616	O	Threaded Bushings for taperleaf spring 16K, 18/20K, 22K, 40K replacing rubber.	0
Rear Axle & Equipment			
3142160	S	Dual Meritor RT46-160 rear axle rated at 46K. Tandem rear axles.	0
3200456	O	Rear Axle Ratio - 4.56.	0
3306001	O	Dual rear Bendix air disc brakes for dual rear axles to 46K capacity.	40
3392604	O	Splined rotor for dual rear air disc brake for use with aluminum hubs.	-208
3407046	O	Longer studs for aluminum wheels w/ steel hub pilot wheels.	6
3407050	S	Dual Rear Hubs: Aluminum hub pilot 46K 11-1/4 in. bolt circle.	0
3441972	S	ConMet PreSet Plus Hub package; dual rear axle.	0
3465900	O	Rear slack adjusters included w/ axle or air disc brakes.	0
3485002	O	Spring brakes included w/ dual rear air disc brakes.	0
3495232	S	Bendix 6S/6M anti-lock brake system w/ air traction control (ATC) and electronic stability program (ESP) for full truck. Must code for additional body information.	0
3500057	O	Interaxle Driveline: 1 Dana SPL170XL Tandem Rear Axles Only	-2
3500075	O	10.5-11 yard rear discharge bridge formula mixer.	0
3511420	O	Driver Controlled Differential Lock (Crosslock) for Meritor Axles 40K to 52K forward rear & rear rear axle. Under Speed Interlock is standard on T680.	39
3742940	O	Tandem Hendrickson HAULMAAX EX (HMX) 460 46K. 54 in. axle spacing, 16.5 in. saddle height. With shocks, track rods and rubber bolster bushings. Unladen Height: 11.5 in. Laden Height: 9.5 in.	174
3808131	O	1 Steerable Pusher Watson-Chalin 13.5K SL13	1,245
3820036	O	1 Steerable Pusher Brakes: Bendix Non-RSD 15x4 Use with 13.5K axle.	0
3820523	O	1 Steerable Pusher brake drum 15x4 for use with 13.5K axle.	0
3821121	O	1 Steerable pusher hubs aluminum hub pilot for use with 13.5K axle.	0
3828336	O	Pusher or Tag: gauge/switch dash-mounted; gauge and pressure regulator tie-strapped to rail.	0

Sales Code	Std/ Opt	Description	Weight
3830145	O	Delete standard heavy-duty air springs for rear suspension.	-28
3841049	O	1st Pusher location: 49 in. from c/l forward tandem axle or single rear axle.	0
Tires & Wheels			
4077533	U	Front tires: Bridgestone M864 425/65R22.5 20PR	0
4277487	O	Rear tires: Bridgestone M799 11R22.5 16PR. 42 in. diameter, drive. 19.5 in. SLR. Code is priced per pair of tires.	80
4781796	O	1 steerable pusher: 2 Bridgestone R250ED 255/70R22.5, 16PR; 2-4. 36.7 in. diameter, all position. 17.2 in. SLR.	-38
4900008	O	Rear Tire Quantity: 8	0
5045216	O	Front Wheel: Alcoa 82362 22.5x12.25 aluminum, with LM One [TM] finish High Polish, hub-pilot mount. 11400lb. maximum rating. Super single. Standard track axles may be over 102 in. w/425 tires. Air disc brake compatible.	-10
5243550	O	Rear Wheel: Alcoa ULA18 22.5x8.25 MagnaForce aluminum alloy, hub-pilot mount. 7400lb maximum rating. Air Disc Brake compatible. High polish.	-316
5781554	O	1 Steerable Pusher Wheel: 2 Alcoa ULA18 22.5x8.25 MagnaForce aluminum alloy, hub-pilot mount. 7400lb maximum rating. Air Disc Brake compatible. High polish.	-51
5900008	O	Rear Wheel/Rim Quantity: 8	0
Frame & Equipment			
6057600	O	Frame Rails: 11-5/8 x 3-7/8 x 3/8 in. Steel to 447 in. Truck frame weight is 3.80 lb.-in. per pair of rails. Section modulus is 21.43, RBM is 2,572,000 in.-lbs per rail. Frame rail availability may be restricted based upon application, axle/suspension capacity, fifth wheel setting, or component/dimensional specifications. The results of the engineering review may result in a change to the requested frame rail. If a change is required Kenworth Application Engineering will advise the dealer of the appropriate material specification for a substitute rail.	680
6302360	O	Bumper: Tapered aluminum channel. Natural Finish. Requires a bumper setting code.	-6
6319028	O	28 in Bumper setting. Requires a bumper code.	0
6321005	O	Removable Front Tow Hooks: 2.	15
6340009	O	Rear Engine PTO: MX-11, 1.3:1 Drive Ratio Torque Capacity 590 LB-FT Continuous.	48
6340110	O	Side plate on chassis rail for mixer boost-a-load	46
6390001	O	Steel shackle links.	8
6391299	U	6391250 50+ CFL CFL A/D: right behind BOC xmembr left rail below. not to pretrude outside rail	0

Sales Code	Std/Opt	Description	Weight
		CFL A/T: Air tanks in frame flanges CFL C/M: No X members BOC to 39 in BOC. Repto to BOC clear-no lines piping or trans supports no inverted xmbr past 80 in trunion	
6397001	O	Huck bolts throughout frame, where possible.	0
6405000	O	In-cab steel battery box: under rider seat or in stand alone box. Requires appropriate AGM battery code, which varies by model, and appropriate rider seat code be selected prior to entering the workscreen. Includes 1 battery disconnect switch.	-9
6409906	O	In-Cab battery box location: Under rider seat.	0
6451090	S	T470,C5, T6, T8 non-polished DPF/SCR or CNG cover diamond plate w/ step. For use w/ 2010 or later exhaust systems. For T8, use extended length non-polished battery box on opposite rail to match the length of under cab components. End plates will be painted standard black frame color.	0
6490095	O	Steel rear intermediate crossmember: One with heavy-duty aluminum gussets, replacing standard.	17
6490120	O	Invert rear intermediate crossmember. A separate sales code is required for one of the following: an additional crossmember; steel crossmember; and if crossmember is not standard aluminum gussets on non-severe service.	0
6490440	O	Heavy-duty BOC crossmember assembly.	23
6721125	O	Delete Mudflap Arms: dealer/customer responsible for installation of arms.	-12
6723000	O	Delete Mudflap Shields-Dealer/Customer responsible for installation of shields.	-8
6742009	S	Square end-of-frame w/o crossmember; non-towing.	0
Fuel Tanks & Equip			
7210075	O	Fuel Tank: 75 US gallon 24.5in. aluminum under replace. Class 8 fuel tanks w/o locking caps include an anti-siphon device on the filler neck.	-11
7722153	S	Small round DEF tank, 14 gallons. The DEF tank will be located on the side you specified. If you have specific configuration or body builder concerns, please utilize the Custom Frame Layout option. Standard capacity is calculated by fuel capacity of the vehicle and will accommodate two diesel fill-ups for every DEF fill-up. For 1:1 DEF fuel fill ratio, add 7889204.	0
7831008	O	6 in. wide lower fuel tank step, for one 22 in. or 24.5 in. tank LH.	2
7889203	S	DEF to fuel fill ratio 2:1 or greater.	0
7889245	S	Anti-siphon device in fuel tank filler neck. For any number of fuel tanks.	0
7889604	S	DEF tank location is LH.	0
7920075	O	Location: 75 gal fuel tank LH under cab	0

<i>Sales Code</i>	<i>Std/Opt</i>	<i>Description</i>	<i>Weight</i>
Cab & Equipment			
8025301	S	Cab: Stamped aluminum cab with panoramic curved glass windshield. Standard with stamped aluminum doors, heavy duty in-swinging hinges, and triple sealed doors. Manufactured using self-piercing rivets and structural adhesive. Includes LED exterior marker lights and turn signals.	0
8090139	O	Hood: T880 Set-Fwd Short Length W/Mech. Fastened Fenders	0
8108011	S	Cab HVAC - Day Cab and 40in Sleeper System With Defrost, A/C, and 48,000 BTU/hr Heater. Includes automatic temperature control with one touch defrost operation and dash mounted cab temperature and solar intensity sensors. Pleated fresh air filter and cabin recirculation air filter standard. The Kenworth HVAC system is designed to provide optimal heating and cooling in all operating environments without need for additional insulation. Cab HVAC without sleeper heater AC is available with 40in sleeper.	0
8190138	O	Shutoff Valves to Isolate Primary Heater Remote mounted on frame under cab.	0
8201047	S	Kenworth Smartwheel: 18 in. Non-Leather With Integrated Radio and Cruise Controls.	0
8201051	O	Column Mtd Retarder Control, RH Side Use with Manual & Allison Transmissions Only.	0
8201200	S	Adjustable telescoping tilt steering column.	0
8203060	O	5 sets of keys. Replaces standard 2 sets of keys.	0
8205271	O	Dash Mounted - Compact Valve to Actuate Rear Service Brakes Non-Self-Returning.	0
8208495	O	Two spare switches: Wired to power.	0
8222404	S	Gauge: DD Virtual Gauge - Oil Temp Engine	0
8222409	S	Gauge: DD Virtual Gauge - Air Filter Restriction	0
8222413	S	Gauge: DD Virtual Gauge - Manifold Pressure Boost	0
8222414	S	Gauge: DD Virtual Gauge - Engine Percent Torque	0
8240020	O	City horn to honk if door opens and park brake not set.	0
8282027	S	Main Instrument Package: 15" Digital Display. Includes Speedometer, Tachometer, Primary Air Pressure, Secondary Air Pressure, Fuel Level #1, DEF Level, DPF Filter Status, Fuel Economy, Oil Pressure, Coolant Temp, OAT and Voltmeter, and Air Application.	0
8282120	O	USB Charging Port - Dash Panel	0

Sales Code	Std/Opt	Description	Weight
		*Requires 15" Digital Display 8282027/8282028	
8291011	O	Warning Light and Audible: Drivers Side Seatbelt A telltale and audible warning activates when vehicle speed > 10 mph and driver side seatbelt is not buckled.	0
8300008	S	Interior color: Slate Gray	0
8330102	S	Interior package: Vantage daycab Includes durable headliner and vinyl sidewalls with geometric patterned trim and anodized aluminum accents throughout. Convenient overhead storage cubbies, full size glove box, two center console cupholders, and large door pad map pocket. Standard LH/RH power windows, electric door locks, interior LED lighting, nighttime-friendly red ambient lighting for dash and footwell, and door mounted courtesy light. Includes two standard 12V power outlets. Driver sunvisor includes strap.	0
8390634	S	Rubber floormat	0
8410200	O	Driver Seat: GT701 HB with Vinyl material. The GT701 is standard with a single air bag, scissor linkage seat suspension. It includes a single chamber lumbar support, 10in Fore/Aft adjustment, 7in Up/Down adjustment, 2.5in pan extension, 51 degree seat back recline, and 16 degree full seat tilt. Includes 3-point matching seat belts. DR seat standard w/ dual armrests.	0
8480109	O	Rider Seat: GT100 Battery/Utility Box IB With Vinyl Material. The GT100 seats are standard with fixed base. Includes 3-point matching seat belts.	9
8490181	S	Seat Color: Black	0
8496559	O	Driver and Rider Seat Belts: Orange Seat Belts. Replacing standard color.	0
8601432	O	Kenworth Radio DEA710 AM/FM/WB/USB, Bluetooth	0
8698974	S	Base Level Audio System - Daycab:High Performance Door Speakers.	0
8700197	S	Turn Signal: Non-Self Cancelling	0
8700283	S	LH and RH Trip Ledge Rain Deflectors	0
8700630	O	Provision for Ram Ball Mounted on Dash w/ wiring pass-through.	0
8700634	O	Provision For Ram Side Of Dash Allows To Maintain 12 Gauges	0
8700663	S	Kenworth TruckTech+ The Kenworth Remote Diagnostics system provides the Worlds Best reporting of engine and aftertreatment fault codes, as well as enhanced support for the truck owner through rapid communication of fault severity and recommended actions. This option is Standard on all Heavy Duty Kenworths with a PACCAR MX engine, Cummins X15 engine, PX engine or Natural Gas engine. Optional on Medium Duty Kenworths.	0

Sales Code	Std/ Opt	Description	Weight
8800260	O	Long grabhandle RH side mounted to side-of-cab exhaust.	2
8800372	O	Grabhandle: LH, Exterior, Side of Cab - Ergonomic Grab Handle Mounted To The Left Hand Exterior Of The Cab For Entry and Exit.	3
8800403	O	Dual Cab Interior Grabhandles:Yellow,A Pillar Mtd Dash Wrap and B Pillar Mounted Grabhandles	0
8832113	S	Kenworth Daylite Door with standard LH/RH electric door locks and LH/RH electric window controls.	0
8841411	S	Single air horn under cab.	0
8850139	S	Look-Down, Pass. Door, Black 11x6	0
8865002	S	Aero Mirror: Dual Kenworth Aerodynamic Motorized heated mirrors, 7in X 13in with cab color mirror shell and black mirror arms. Also includes LH/RH heated 6in X 7in convex mirrors. Mirror brackets set for 8-1/2 ft load width. Mirror controls located on driver side door pad.	0
8871446	S	Rear cab stationary window 19in x 36in	0
8879917	O	Two additional outboard windows 19in x 12in	10
8890101	S	One-piece bonded-in windshield with curved glass. Standard.	0
8890135	S	Exterior stainless steel sunvisor.	19
8890348	O	Wheelwell Fender Extension: 4.5 inches	1
8890876	S	Kenworth Cab/Sleeper Air Suspension.	0
Lights & Instruments			
9010553	S	Headlamps: SAE Dual Halogen Complex Reflector	0
9022137	S	Marker Lights: Five, rectangular, LED	0
9030016	S	Turn Signal Lights: Flush mounted LED. Mounted at top of fender wheel arc.	0
9030052	S	LED Stop,Turn,Tail: With Two LED Backup Lights and With An LED License Plate.	0
9056140	O	Dual Pedestal Floodlights: First Set	2
9059901	O	Floodlight Location: Located High - First Set. This Code To Be Used With Flush-Mount (9052011) or C/I (9058071) Codes Only.	0
9090039	S	Marker Lights: Interrupter Switch. Included in Turn Signal For All Models Except T3. The T3 Switch Is In The Dash.	0
9090052	O	Brake Lights on when Engine Brake Active.	0

Sales Code	Std/Opt	Description	Weight
		Can only be selected when chassis also has engine brake. Cannot be used with options to delete engine brake.	
9090115	O	Reflectors: Two Midframe	0
9090126	O	Electric Backup Alarm: Meets SAE J994 & OSHA requirements.	4
9090302	O	Junction Box: Mounted Behind Cab or Sleeper Not Mounted at End of Frame.	1
9090849	O	Polyswitches replacing fuses. Switch will automatically reset after removal of excess load.	0
Air Equipment			
9101219	O	Air Dryer: Bendix AD-HF Extended Purge Heated With Puraguard	0
9108001	S	Moisture ejection valve w/ pull cable drain.	0
9140020	S	Nylon air tubing in frame & cab, excluding hoses subject to excessive heat or flexing.	0
Extended Warranty			
9200006	O	Base Warranty - PACCAR MX-11 & MX-13 Engine 24 months / 250,000 miles / 400,000 km / 6250 hours.	0
9200021	S	Base Warranty - Standard Service Heavy Duty 12 months / 100,000 miles / 160,000 km.	0
9212601	S	24 Month TruckTech+ Subscription for PACCAR MX Engines w/ OTA Functionality	0
9220001	O	Base Warranty: Emissions 5YR/100K MI - EPA Engine	0
Miscellaneous			
9409852	O	GHG Secondary Manufacturer: Does Not Apply	0
9490206	O	Warning triangle reflector kit: Shipped loose. Kit consists of 3 triangles in plastic carrying case. Not floor mounted.	4
9490404	O	One 5 lb. dry chemical type fire extinguisher mounted outboard of driver seat. Class ABC.	11
9491659	S	VMUX Architecture	0
Promotions			
Paint			
9700000	O	Paint color number(s). N9702 A - L0006 WHITE N9720 FRAME N0001 BLACK	0
9943004	O	Bumper Unpainted	0
9943048	O	Day Cab Bulk Paint	0

<i>Sales Code</i>	<i>Std/ Opt</i>	<i>Description</i>	<i>Weight</i>
9943050	O	Day Cab Standard Paint	0
9944820	S	1 - Color Paint - Day Cab Color will be White if no other color is specified.	0
9965510	S	Base coat/clear coat. The Kenworth Color Selector contains additional instructions, as well as information on Kenworth paint guidelines and surface finish applications. Kenworth is standard with Dupont Imron Elite paint.	0
9999995	O	Cancel/reorder chassis. <i>Narr 365410</i>	0

Order Comments

Total Weight

17,571

Prices and Specifications Subject to Change Without Notice.

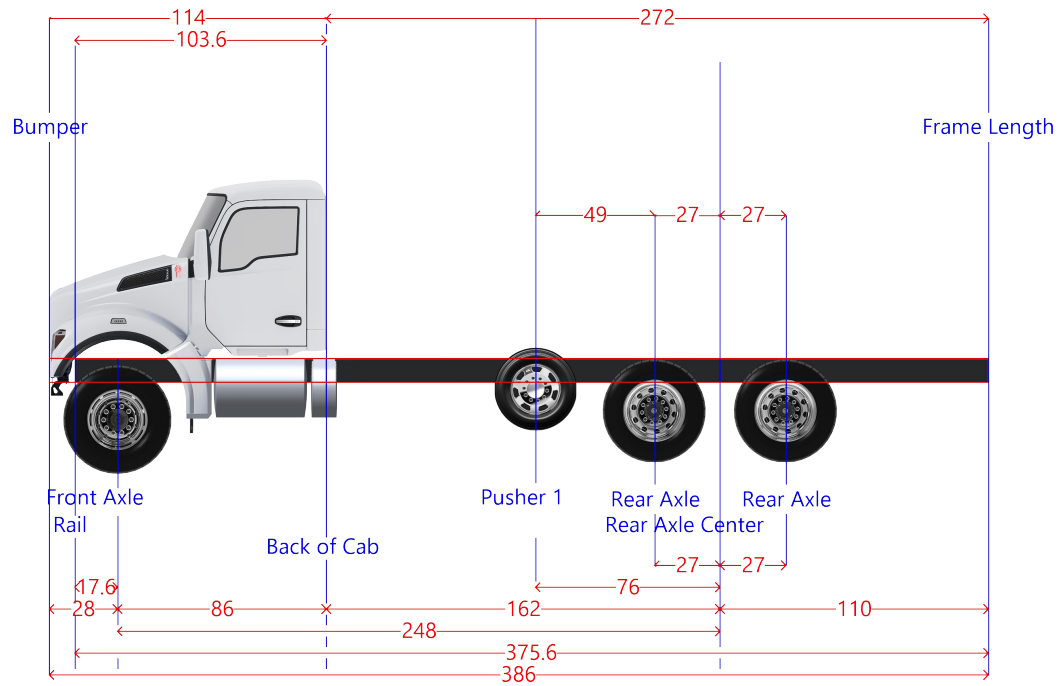
Unpublished options may require review/approval.

Dimensional and performance data for unpublished options may vary from that displayed in CRM.

PRICING DISCLAIMER

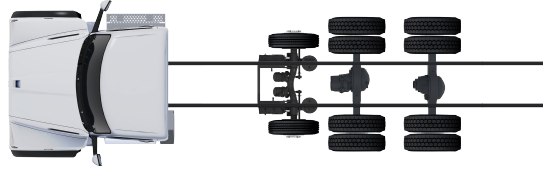
While we make every effort to maintain the web site to preserve pricing accuracy, prices are subject to change without notice. Although the information in this price list is presented in good faith and believed to be correct at the time of printing, we make no representations or warranties as to the completeness or accuracy of this information. We reserve the right to change, delete or otherwise modify the pricing information which is represented herein without any prior notice. We carefully check pricing specifications, but occasionally errors can occur, therefore we reserve the right to change such prices without notice. We disclaim all liability for any errors or omissions in the materials. In no event will we be responsible for any damages of any nature whatsoever from the reliance upon information from these materials. Please check your order prebills to confirm your pricing information

HORIZONTAL DIMENSIONS



Dimension	Measurement	Start	End
Axle Spacing	54	221	275
Bumper to Back of Cab	114.0	-28	86
Bumper to Front Axle	28.0	-28	0
Bumper to Front Frame	10.4	-28	-17.6
Cab to End of Frame	272.0	86	358
Cab to Rear Axle	162.0	86	248
Effective Bumper to Back Of Cab	114.0	-28	86
Frame Length	375.6	-17.6	358
Front Axle to Back of Cab	86.0	0	86
Front of Frame to Axle	17.6	-17.6	0
Load Space	272.0	86	358
Overall Length	386.0	-28	358
Overhang	110.0	248	358
Pusher Offset #1	-22.0	221	248
Pusher Offset #2	27.0	221	248
Pusher Offset #3	27.0	221	248
Tag Offset	27.0	248	275
Wheelbase	248	0	248

FRAME LAYOUT



Note: Optional content may be displayed. The order has not yet received an engineering review. The actual arrangement of components may not be exactly as pictured. Additional changes may be made to the layout by Kenworth. Add a Custom Frame Layout code if an exact layout is required.

Selected Options (Wheelbase: 248)

Sales Code	Description	Length	Side
7210075	Fuel Tank: 75 US gallon 24.5in. aluminum under	38.5	Left
7722153	Small round DEF tank, 14 gallons.	10.2	Left
6405000	In-cab steel battery box: under rider seat or in	20	Center